

STIRRUP REINFORCEMENT AT FLARE OF GIRDER STEM

BEARING PLATE PRESTRESSING PATH

DISTRIBUTION OF PRESTRESSING FORCE:

UNLESS OTHERWISE NOTED THE PRESTRESSING FORCE, P JACK OR P SHALL BE DISTRIBUTED WITH AN APPROXIMATELY EQUAL AMOUNT IN EACH GIRDER AND SHALL BE PLACED SYMMETRICALLY ABOUT THE C.L. OF THE STRUCTURE.

STRESSING SEQUENCE:

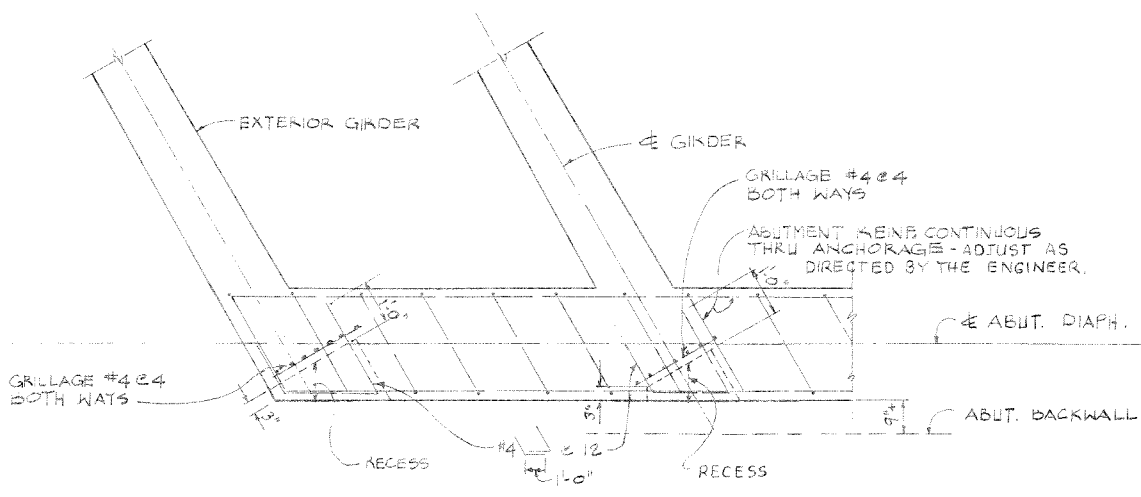
NO MORE THAN 1/2 OF THE PRESTRESSING FORCE IN ANY GIRDER MAY BE STRESSED BEFORE AN EQUAL FORCE IS STRESSED IN THE ADJACENT GIRDERS. AT NO TIME DURING THE STRESSING OPERATIONS WILL MORE THAN 1/6 OF THE TOTAL PRESTRESSING FORCE BE APPLIED ECCENTRICALLY ABOUT THE CENTERLINE OF THE STRUCTURE.

GIRDER STEM SHALL BE FLARED NEAR ANCHORAGE TO PROVIDE A MINIMUM OF 1/2" CONCRETE COVERING THE DUCTS, FLARE MAY BE ON ONE SIDE OF GIRDER ONLY.

PLACE DUCT TIES, AS SHOWN FOR FLARE OF GIRDER STEM, AT EACH LOCATION WHERE DUCTS CHANGE HORIZONTAL DIRECTION.

BAR REINFORCEMENT INTERFERING WITH THE PRESTRESSING TENDON ALIGNMENT SHALL BE ADJUSTED, AS APPROVED BY THE ENGINEER.

THE WORKING DRAWINGS SHALL INCLUDE ANY ADDITIONS OR REARRANGEMENT OF REINFORCING STEEL FROM THAT SHOWN ON THE PLANS.



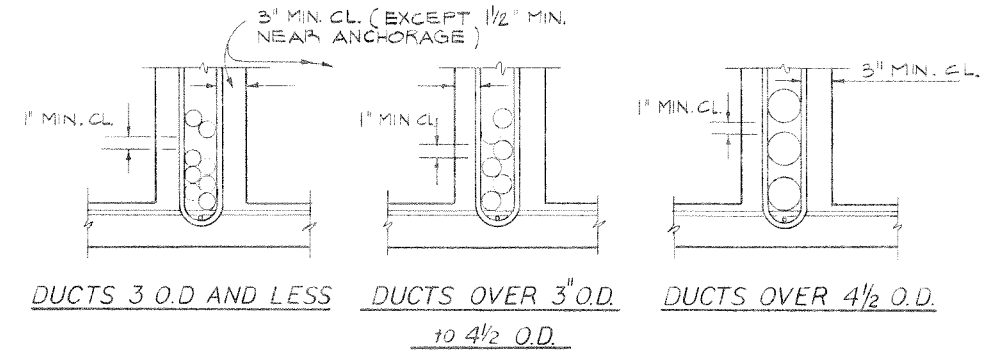
NOTES:

RECESS FOR ANCHORAGE TO BE FILLED WITH CONCRETE.

EDGE DISTANCE OF BEARING PLATES SHALL BE 1/2" MIN.

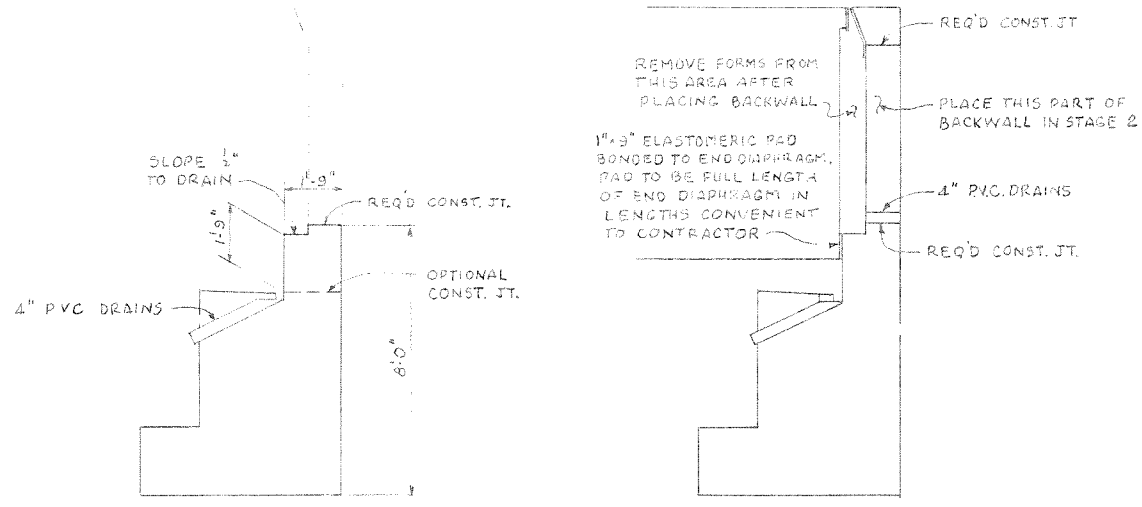
CONTRACTOR TO SUBMIT WORKING DRAWINGS TO THE ENGINEER FOR APPROVAL.

PLAN PRESTRESS BEARING SEATS
3'-11-0"



CLEARANCE REQUIREMENTS FOR DUCTS

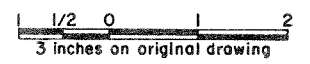
- DUCT PATTERNS SHOWN ARE FOR A 12" WIDE GIRDER STEM; FOR OTHER WIDTHS THE MINIMUM CLEARANCES MUST BE MAINTAINED.
- GIRDER STIRRUPS MUST BE BENT TO FIT THE DUCT SIZE USED, OR I OR U STIRRUPS MAY BE USED, A REINFORCING BAR MUST BE PLACED INSIDE OF EACH STIRRUP HOOK OR 90° BEND.
- APPROVAL OF THE ENGINEER IS REQUIRED FOR DEVIATIONS.



STAGE 1

STAGE 2

STAGE CONSTRUCTION AT ABUTMENTS



WHEELER & GRAY
CONSULTING ENGINEERS
2512 Chambers Road, Suite 205
Tustin, California 92680

George W. Gray
S.E. # 764

ORANGE COUNTY ENVIRONMENTAL MANAGEMENT AGENCY			
ALICIA PARKWAY BRIDGE (AR-2) OVER ARROYO TRABUCO CREEK (LO-2)			
PRESTRESSED GIRDER DETAILS			
MARK	DATE	DESCRIPTION	PREPARED UNDER SUPERVISION OF
DESIGNED		W. F. POND	DATE
DRAWN		E. G.	CHECKED
SCALE	DATE	DWG. NO.	SHEET
AS SHOWN			40 OF 57